

**DekoRRa Size-A-Rock Spreadsheet**

Rock Model #	Listed Dimensions of Rock			Application Measurements				Notes
	Highest Point	Length @ Base	Width @ Base	Height (@)	Length (max)	Width (max)	Diameter (max)	
DEK-101	21	31	26	2			24	Rectangular measurements of all rocks may have more space in the middle than listed due to width interference at the corners.  When choosing a rock enclosure for an application, note the shape of the rock as well as the application measurements
				2	32	6		
				2	26	14		
				2	24	16		
				2	20	20		
				4			22	
				4	32	6		
				4	30	8		
				4	24	16		
				4	20	19		
				6			19	
				6	30	3		
				6	25	12		
				6	18	18		
				8			18	
				8	28	3		
				8	22	16		
				12			16	
				12	20	12		
				12	16	16		
14			13					
14	16	6						
14	14	12						
16			10					
16	10	10						
18			7					
18	8	7						
20			3					
20	3	3						
DEK-102	25	27	21	2			21	Diagonal Measure
				2	30	3		
				2	22	12		
				2	20	17		
				4			20	
				4	29	3		
				4	20	12		
				4	18	16		
				6			18	
				6	27	3		
				6	23	8		
				6	18	16		
				8			17	
				8	25	3		
				8	21	8		
				8	17	16		
				10			17	
				10	24	3		
				10	20	8		
				10	16	16		
				12			16	
				12	24	3		
				12	18	8		
				12	15	15		
				14			14	
				14	23	3		
				14	16	8		
				14	15	12		
				14	13	13		
				16			13	
16	22	3						
16	15	12						
18			13					
18	22	2						
18	14	10						
20			11					
20	20	2						
20	14	9						
22			10					
22	17	2						
22	11	7						
24			8					
24	14	2						
24	8	7						
DEK-103	30	56	42	2			38	
				2	45	30		
				2	38	32		
				4			36	
				4	45	26		
				4	38	32		
				6			36	
				6	48	20		
				6	46	28		
				6	38	30		
				6	33	32		
				8			34	
8	46	16						
8	38	28						
10			32					
10	42	16						
10	32	32						
10	36	28						

**DekoRRa Size-A-Rock Spreadsheet**

Rock Model #	Listed Dimensions of Rock			Application Measurements				Notes
	Highest Point	Length @ Base	Width @ Base	Height (@)	Length (max)	Width (max)	Diameter (max)	
				12			32	
				12	40	18		
				12	36	26		
				14			30	
				14	40	14		
				14	38	16		
				14	36	20		
				16			28	
				16	40	10		
				16	30	20		
				16	24	24		
				18			24	
				18	39	5		
				18	24	21		
				20			23	
				20	36	4		
				20	34	10		
				22			18	
				22	32	9		
				22	28	11		
				22	18	16		
				24			15	
				24	29	5		
				24	20	11		
				25			12	
				26			7	
				26	18	2		
				26	8	6		
				27			6	
				27	6	5		
				28			3	
				28	3	3		
<b>DEK-104</b>	<b>41</b>	<b>60</b>	<b>48</b>	<b>2</b>			<b>48</b>	
				2	66	3		Diagonal Measure
				2	58	12		Diagonal Measure
				2	50	40		
				6			46	
				6	63	3		Diagonal Measure
				6	49	38		
				12			44	
				12	60	3		Diagonal Measure
				12	55	12		Diagonal Measure
				12	45	38		
				18			41	
				18	55	4		Diagonal Measure
				18	44	33		
				18	41	36		
				24			38	
				24	52	4		Diagonal Measure
				24	41	33		
				27			36	
				27	40	32		
				28			34	
				28	48	4		Diagonal Measure
				28	38	32		
				30			29	
				30	43	4		Diagonal Measure
				30	34	29		
				32			26	
				32	41	4		Diagonal Measure
				32	33	24		
				35			26	
				35	32	4		Diagonal Measure
				35	24	20		
				38			16	
				38	20	12		
<b>DEK-105</b>	<b>12.5</b>	<b>24</b>	<b>12</b>	<b>2</b>			<b>10</b>	
				2	18	4		
				2	16	6		
				2	12	8		
				4			8	
				4	17	3		
				4	12	6		
				4	9	7		
				6			6	
				6	14	3		
				6	11	5		
				7			6	
				8			4.5	
				8	12	1		
				8	10	4		
				9			4	
				10			3	
				10	7	2		
				10	3	3		
<b>DEK-106</b>	<b>12</b>	<b>19</b>	<b>14</b>	<b>2</b>			<b>10</b>	
				2	16	2		Diagonal Measure
				2	11	10		
				4			9.5	
				4	16	1		Diagonal Measure
				4	14	2		Diagonal Measure

**DekoRRa Size-A-Rock Spreadsheet**

Rock Model #	Listed Dimensions of Rock			Application Measurements				Notes
	Highest Point	Length @ Base	Width @ Base	Height (@)	Length (max)	Width (max)	Diameter (max)	
				4	12	5		Diagonal Measure
				4	10	8.5		
				6			8	
				6	15	1		Diagonal Measure
				6	12	4		Diagonal Measure
				6	8	8		
				8			7	
				8	13	1		Diagonal Measure
				8	10	3		Diagonal Measure
				8	7	6		
				9.5			6	
				9.5	10	1		Diagonal Measure
				9.5	8	3		Diagonal Measure
				9.5	7	5		
DEK-109	18	30	23	2			20	
				2	24	9		
				2	22	12		
				2	19	16		
				4			17	
				4	21	13		
				4	16	16		
				6			14	
				6	19	10		
				6	16	12		
				9			11	
				9	21	3		
				9	16	8		
				9	11	11		
				12			8	
				12	18	3		
				12	12	6		
				14			5	
				14	12	2		
				14	10	4		
				14	8	5		
				16			4	
				16	4	4		
DEK-110	21	39	21	2			18	
				2	36	16		
				4			18	
				4	35	16		
				6			17.5	
				6	34	15		
				8			16	
				8	34	13		
				10			14	
				10	33	12		
				12			12	
				12	32	11		
				14			11	
				14	31	10		
				16			9	
				16	31	9		
				18			8	
				18	30	4		
				18	28	6		
				20			6	
				20	28	2		
DEK-111	15	34	32	2			31	+ 6"x6" Junction Box
				2	40	4		Diagonal Measure
				2	36	10		Diagonal Measure
				2	28	24		
				2	26	26		
				4			31	+ 6"x6" Junction Box
				4	39	4		Diagonal Measure
				4	35	10		Diagonal Measure
				4	30	16		Diagonal Measure
				4	27	24		
				4	26	25		
				6			30	+ 6"x6" Junction Box
				6	39	4		Diagonal Measure
				6	35	10		Diagonal Measure
				6	30	14		Diagonal Measure
				6	27	24		
				9			30	+ 6"x6" Junction Box
				9	35	8		Diagonal Measure
				9	30	14		Diagonal Measure
				9	27	24		
				12			28	+ 6"x6" Junction Box
				12	34	4		Diagonal Measure
				12	26	12		Diagonal Measure
				12	24	24		
				13			25	+ 6"x6" Junction Box
				13	32	4		Diagonal Measure
				13	23	21		
DEK-112	9	36	36	2			36	+ 6"x6" Junction Box
				2	38	8		Snap Fit On 36" Dia
				2	36	12		Diagonal Measure
				2	34	24		
				2	29	28		
				4			34	+ 6"x6" Junction Box

**DekoRRa Size-A-Rock Spreadsheet**

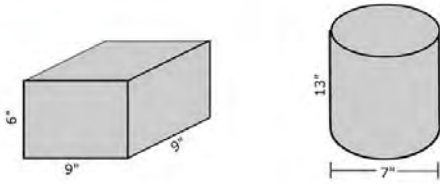
Rock Model #	Listed Dimensions of Rock			Application Measurements				Notes
	Highest Point	Length @ Base	Width @ Base	Height (@)	Length (max)	Width (max)	Diameter (max)	
				4	37	6		Diagonal Measure
				4	28	27		
				6			31	+ 6"x6" Junction Box
				6	35	6		Diagonal Measure
				6	27	24		
				7			30	+ 6"x6" Junction Box
				7	24	24		
				8			10	
				8	16	10		
<b>DEK-113</b>	<b>34</b>	<b>18</b>	<b>17</b>	2			16	
NEW				2	16	16		
				6			15	
				6	15	15		
				10			15	
				10	14.5	14.5		
				14			15	
				14	14.5	14		
				18			15	
				18	14	13.5		
				22			14.5	
				22	14	13.5		
				26			14	
				26	13.5	13.5		
				30			13.5	
				30	13.5	13		
				32			13.5	
				32	13	13		
				33			13	
				33	13	13		
<b>DEK-114</b>	<b>61</b>	<b>63</b>	<b>48</b>	4			44	
NEW				4	58	42.5		
				4	72	4		Diagonal measurement more width available at middle
				8			43	
				8	58	41.5		
				8	71	4		Diagonal measurement more width available at middle
				12			42	
				12	57	39.5		
				12	70	4		Diagonal measurement more width available at middle
				16			41	
				16	57	38.5		
				16	68	4		
				20			41	
				20	56	37.5		
				20	67	4		Diagonal measurement more width available at middle
				24			40	
				24	53	37.7		
				24	66	4		Diagonal measurement more width available at middle
				28			39	
				28	52	36		
				28	64	4		Diagonal measurement more width available at middle
				32			38	
				32	48	36		
				32	57	4		Diagonal measurement more width available at middle
				36			38	
				36	46	35		
				36	56	4		Diagonal measurement more width available at middle
				40			36	
				40	42	33		
				40	53	4		Diagonal measurement more width available at middle
				44			35	
				44	42	32		
				44	52	4		Diagonal measurement more width available at middle
				48			34	
				48	40	32		
				48	50	4		Diagonal measurement more width available at middle
				52			34	
				52	38	31		
				52	48	4		Diagonal measurement more width available at middle
				56			28	
				56	38	28		
				56	45	4		Diagonal measurement more width available at middle
				58			28	
				58	39	28		
				58	40	4		Diagonal measurement more width available at middle

### Arrow Rock

20" W x 15" L x 19" H



*Examples of shapes that would fit under this rock:*

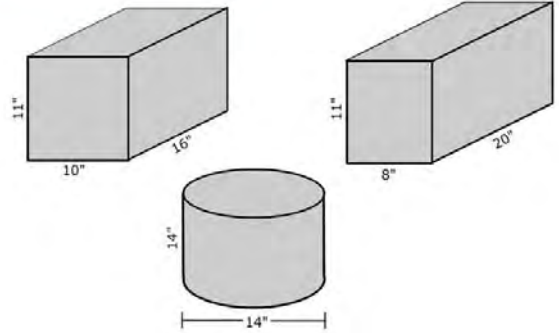


### Block Rock

30" W x 27" L x 24" H



*Examples of shapes that would fit under this rock:*

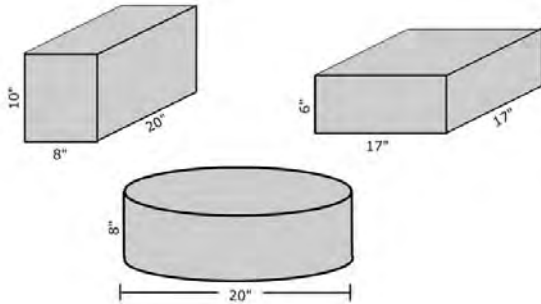


### Classic/Bluff Rock

38" W x 32" L x 20" H



*Examples of shapes that would fit under this rock:*

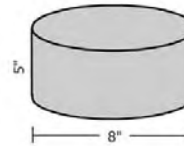


### Cobble Rock

14" W x 12" D x 6" H



*Examples of shapes that would fit under this rock:*

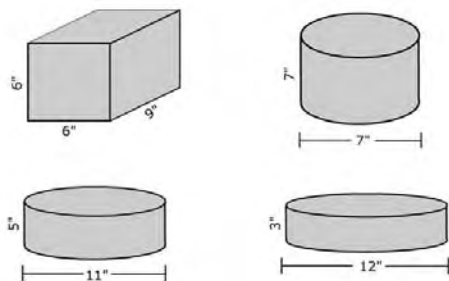


### Crock Rock

16" W x 15" D x 9" H



*Examples of shapes that would fit under this rock:*

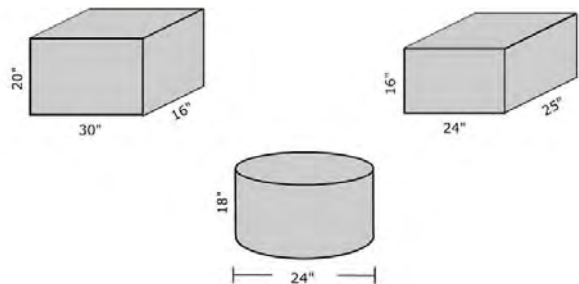


### Crown Rock

36" W x 30" L x 35" H



*Examples of shapes that would fit under this rock:*

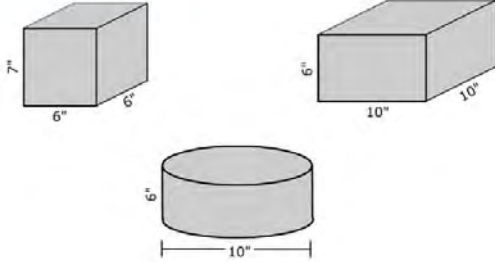


### Diamond Rock

17" W x 24" L x 11" H



Examples of shapes that would fit under this rock:

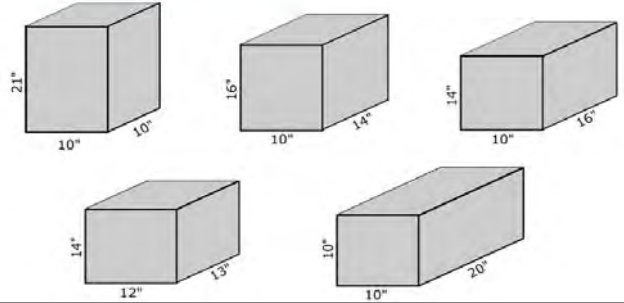


### Dino Rock

21" W x 30" D x 26" H



Examples of shapes that would fit under this rock:

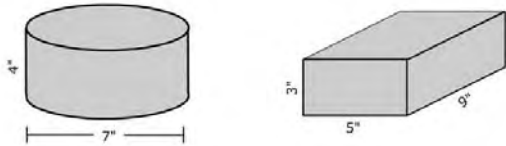


### Fox Rock

12" W x 10" D x 6" H



Examples of shapes that would fit under this rock:

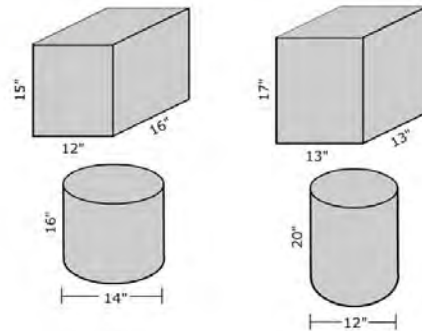


### Fringe Rock

38" W x 26" L x 24" H



Examples of shapes that would fit under this rock:

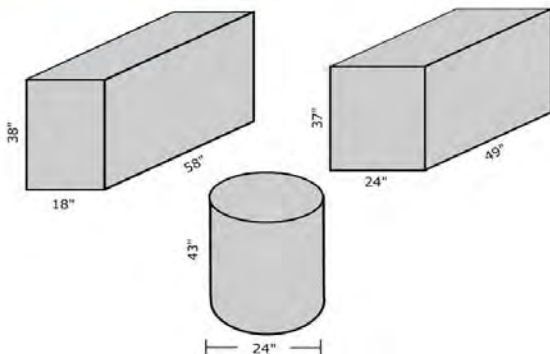


### Hippo Rock

76" W x 49" L x 52" H



Examples of shapes that would fit under this rock:

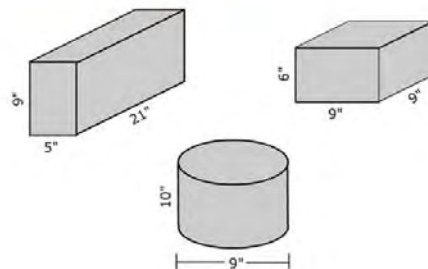


### Motor Rock

10" W x 25" L x 14" H



Examples of shapes that would fit under this rock:

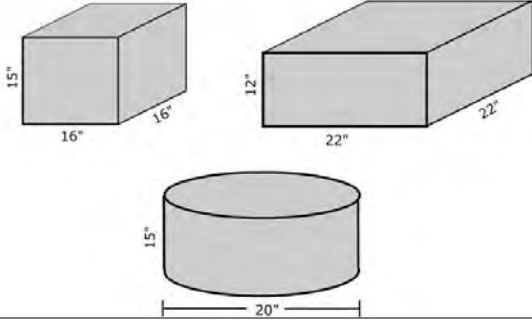


### Mountain Rock

38" W x 33" L x 22" H



*Examples of shapes that would fit under this rock:*

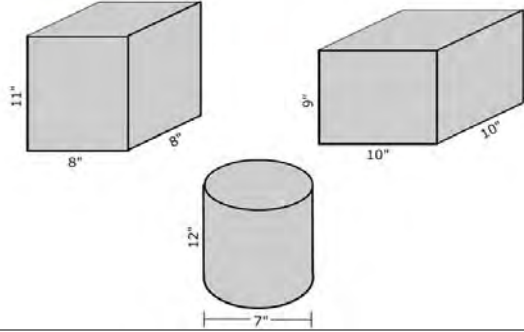


### Peak Rock

25" W x 18" L x 21" H



*Examples of shapes that would fit under this rock:*

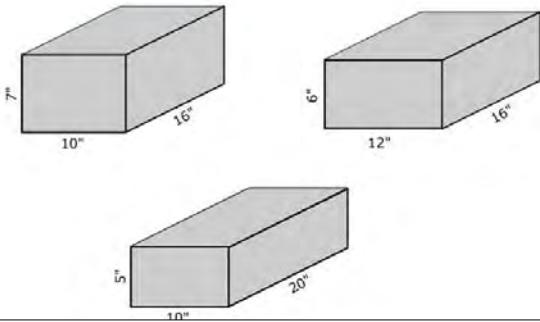


### Pop Rock

30" W x 21" D x 9" H



*Examples of shapes that would fit under this rock:*

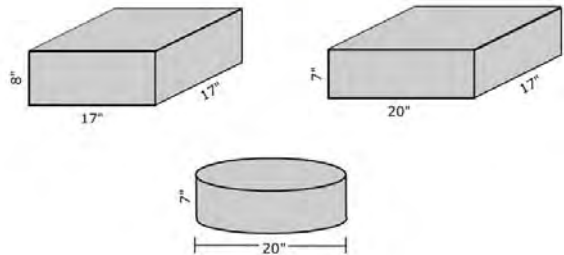


### Quarry Rock

27" W x 31" L x 15" H



*Examples of shapes that would fit under this rock:*

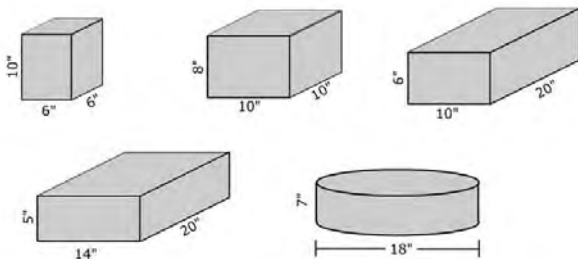


### Rex Rock

25" W x 26" D x 14" H



*Examples of shapes that would fit under this rock:*

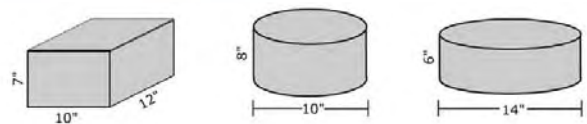


### Rhino Rock

18" W x 20" D x 10" H



*Examples of shapes that would fit under this rock:*

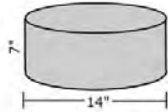
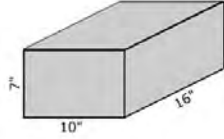
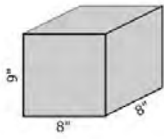


### Round Rock

26" W x 23" L x 13" H



*Examples of shapes that would fit under this rock:*

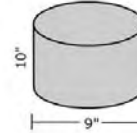
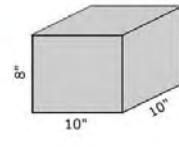
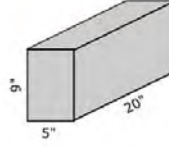


### Squarish Rock

20" W x 23" L x 14" H



*Examples of shapes that would fit under this rock:*

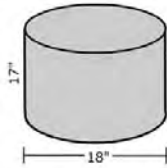
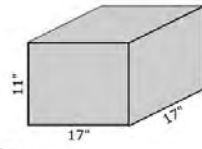
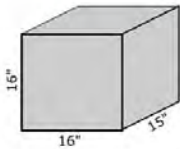


### Standing Rock

36" W x 35" L x 25" H



*Examples of shapes that would fit under this rock:*

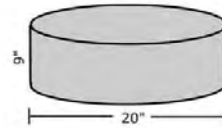
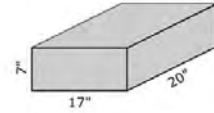
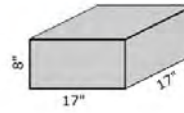


### Turtle Rock

36" W x 29" L x 14" H



*Examples of shapes that would fit under this rock:*

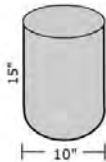
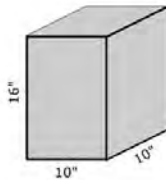
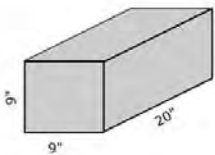


### Well Rock

28" W x 36" L x 25" H



*Examples of shapes that would fit under this rock:*



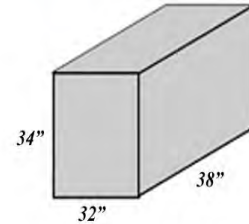
**Big Boulder**  
53" W x 55" L x 32" H

*Examples of shapes that would fit under this rock:*



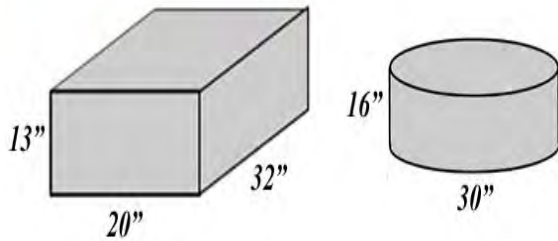
**Cubic Rock**  
47" W x 41" L x 42" H

*Examples of shapes that would fit under this rock:*



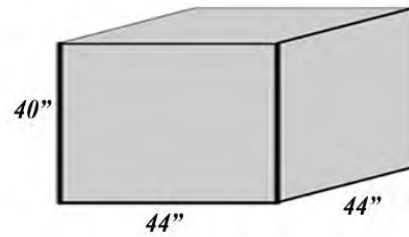
**Edgy Riser Rock**  
42" W x 40" L x 22" H

*Examples of shapes that would fit under this rock:*



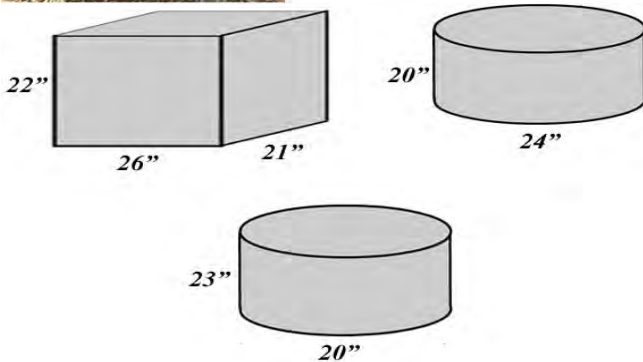
**Jumbo Boulder**  
55" W x 55" L x 47" H

*Examples of shapes that would fit under this rock:*



**Mound Boulder**  
35" W x 40" L x 31" H

*Examples of shapes that would fit under this rock:*



**Tower Boulder**  
40" W x 26" L x 54" H

*Examples of shapes that would fit under this rock:*

